



# VBSET DELUXE VOLLEYBALL SET



## Features:

- 1-VB6 soft touch volleyball
- Heavy-duty plastic poles
- 32' volleyball net
- 2 pole anchors
- 4 ground stakes
- Inflating pump
- Comes in a reusable black carrying case

## PARTS:

- 6 Upright Poles
- 1 Net 32' x 3'
- 1 Volleyball
- 1 Hand Pump
- 2 Plastic Caps
- 2 Plastic Spikes
- 4 Ground Stakes (attached)
- 2 Guide Ropes
- 4 Metal Clip Connectors
- 4 Metal Screws

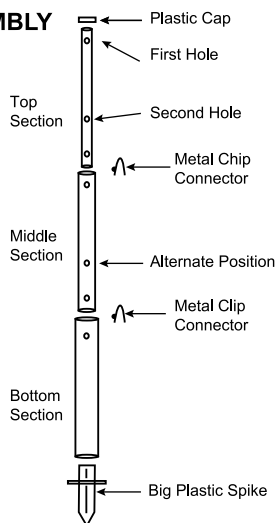
## Instructions:

Set up a game of volleyball at the park, the beach, or your own backyard with the Champion Sports Deluxe Volleyball Set.

### 1. POLE ASSEMBLY

Assemble poles as shown in Figure 1

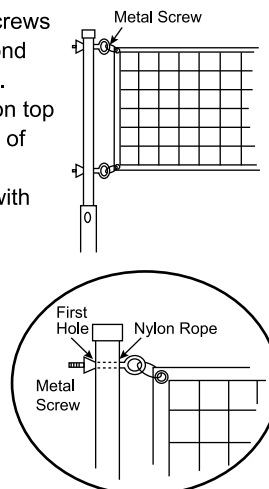
Figure 1



### 2. NET ATTACHMENT

Fasten the metal screws in the first and second holes in top section. Insert nylon ropes on top and bottom corners of net through screws hooks and secure with knots.

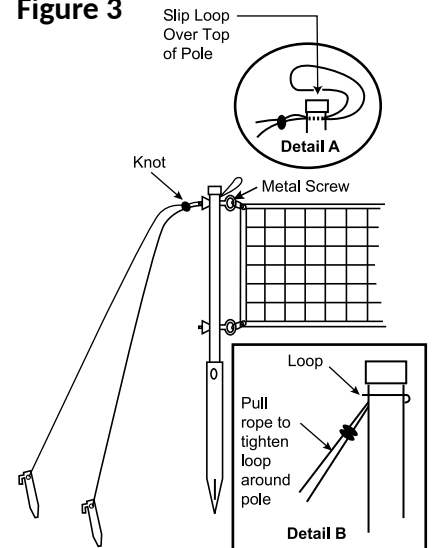
Figure 2



### 3. GUIDE ROPE ATTACHMENT

Insert loop (knotted end) of guide rope, with pre-attached stakes, through hole in top section. Pull rope through hole and slip loop over top of pole as shown in Figure 3, Detail A. Pull rope tightly so that loop is snug around pole, see Detail B.

Figure 3



**TIP:** Squeeze the end of guide rope loop tightly between your fingers before inserting the rope into the hole in the pole. This will make it easier to push the rope through the holes.

### 4. NET SET UP

Stretch assembled net and poles across playing area until net is taught. Press poles firmly into ground. Holding poles in vertical position, stretch guide ropes out and press guide rope stakes into ground at 45 degree angle, approximately 3' to 5' from pole and 3' to 5' apart. See Figure 4

Figure 4

