



RHRACK

JUMP ROPE & HOOP CART

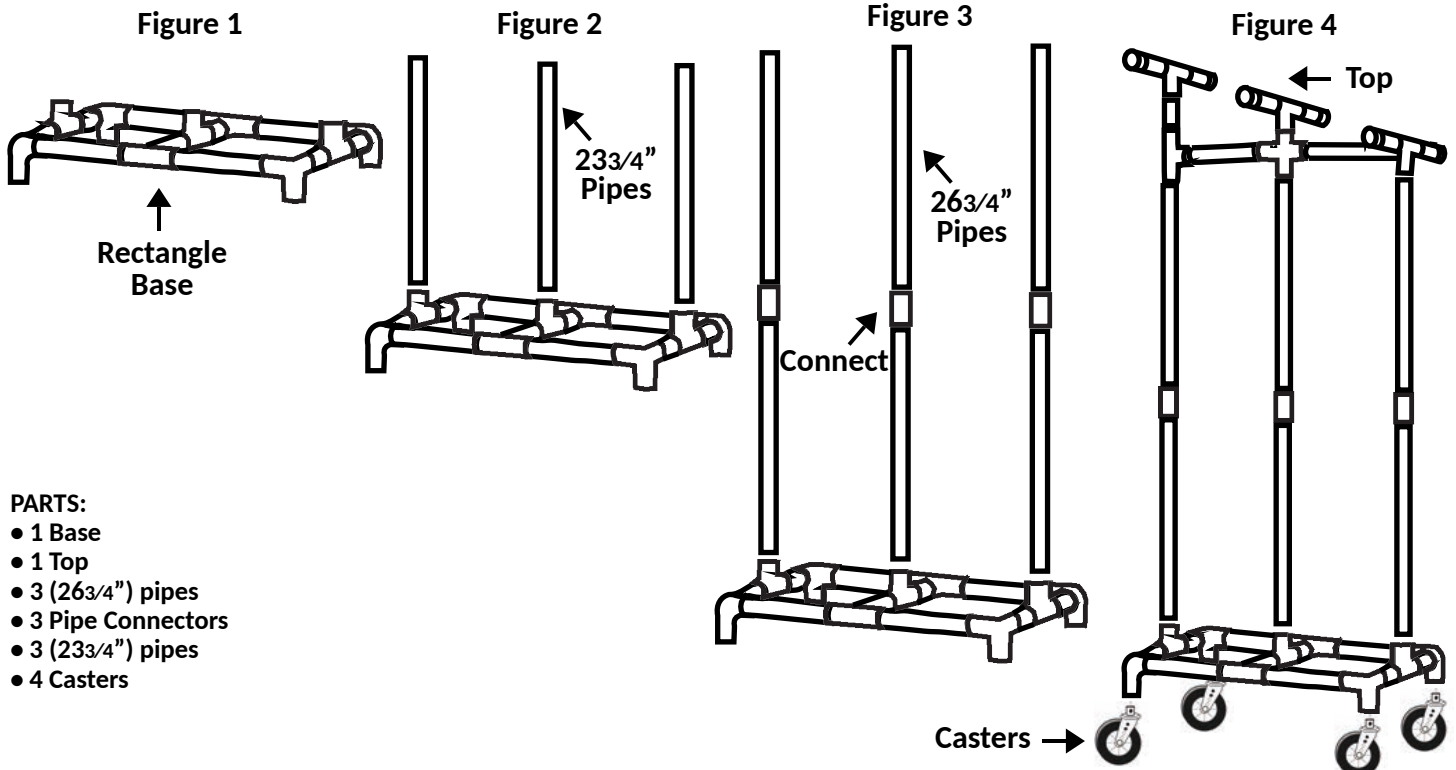
Features:

- Plastic constructed cart
- Holds up to 180 jump ropes and 50 hoops
- Base is designed to prevent tipping
- Fits through narrow spaces
- 28" L x 19" W x 69" H
- White

Instructions:

The Champion Sports Jump Rope and Hoop Cart can hold up to one hundred and eighty jump ropes and fifty hoops!

1. Assemble your cart with a rubber mallet or towel-covered hammer.
2. Lay the rectangular base onto a flat surface with the three holes up and the four holes down. Figure 1
3. Insert a 23³/₄" pipe into each top hole and tap into place. Figure 2
4. Install a 26³/₄" pipe with an end connector onto each upright pipe and tap into place. Figure 3
5. Install the top onto the upright pipes and tap into place. Figure 4
6. Lay the cart on its side. Insert a caster into each bottom hole and tap into place. Install both locking casters at one end. Figure 4



PARTS:

- 1 Base
- 1 Top
- 3 (26³/₄") pipes
- 3 Pipe Connectors
- 3 (23³/₄") pipes
- 4 Casters