



# MBR5

## DELUXE MEDICINE BALL CART

### Features:

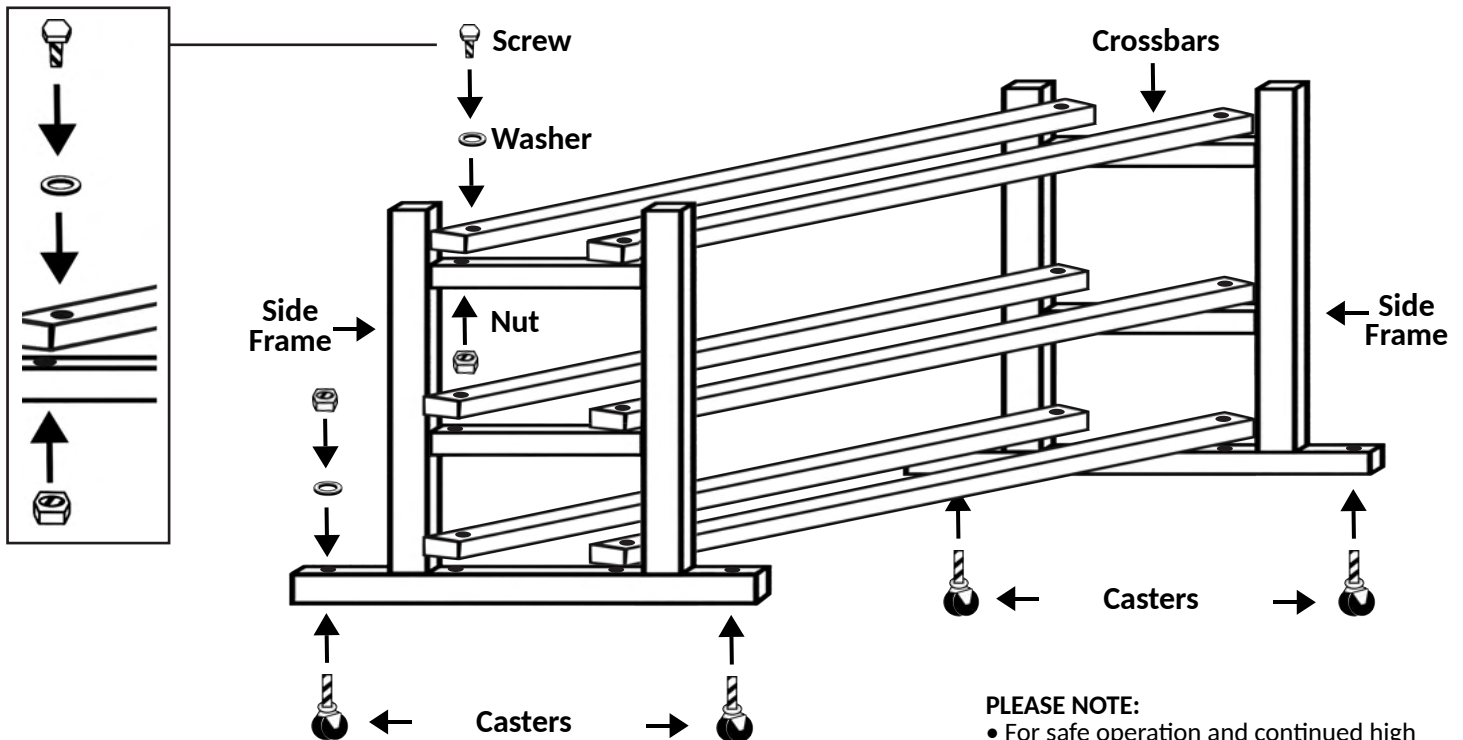
- 1" powder-coated square steel tube frame
- Holds up to 20 medicine balls
- 3" Diameter heavy-duty swivel casters
- 54"L x 10"W x 34"H
- White



### Instructions:

Store and transport your medicine balls with the Champion Sports Deluxe Medicine Ball Cart.

1. Assemble the middle crossbars to the two side frames first. Assemble the remaining hardware loosely to the ends of the remaining crossbars and set these into the slots on each side frame. Tighten all hardware.
2. Position casters into the bottom of side frame tubing. Gently drive into place. Tighten all hardware.



### PARTS:

- 2 Side Frames
- 6 Crossbars
- 12 Hex Head Screws
- 16 Nuts
- 28 Washers
- 4 Ball Bearing Casters

### PLEASE NOTE:

- For safe operation and continued high performance from this equipment, inspection and maintenance must be performed before each use.
- The use of this equipment other than intended may be hazardous.
- Alteration or modification of equipment may be hazardous. For repair or replacement please call the dealer.