



MBR3 DELUXE MEDICINE BALL RACK

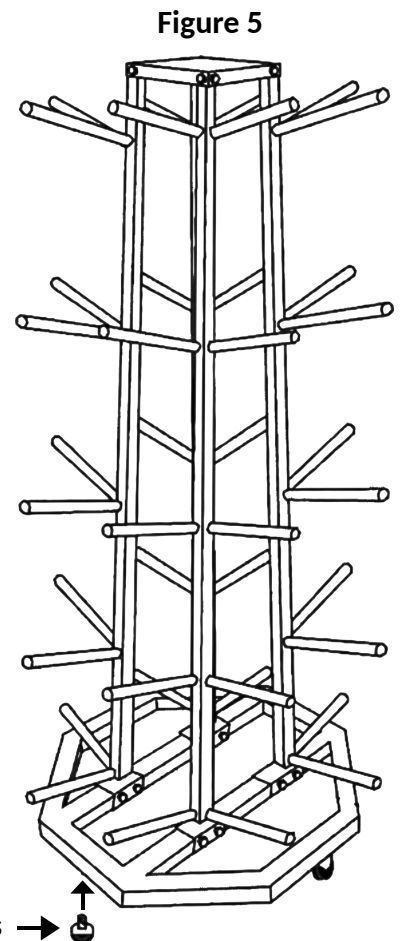
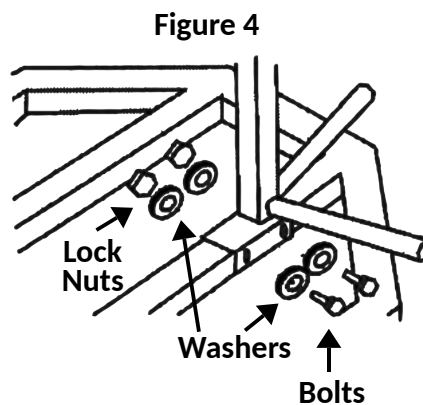
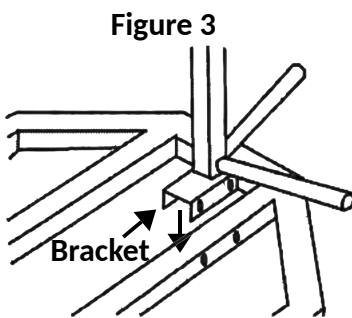
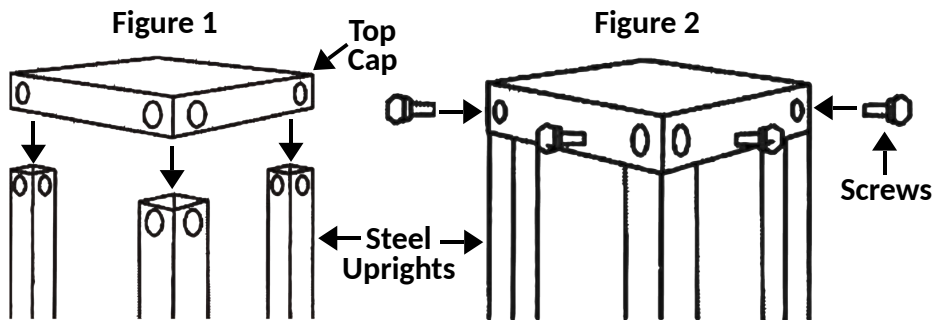
Features:

- Steel tube frame
- 4 Sided design holds up to 20 medicine balls
- Ball-bearing casters transportation on gym floors
- 25"L 25"W x 56"H
- Black

Instructions:

Designed for storing and transporting medicine balls, the Champion Sports Deluxe Medicine Ball Rack features a four-sided, vertical design that can hold up to 20 medicine balls of any size and weight.

1. Line up the 4 steel tube uprights with the pre-drilled holes in the top cap. Figure 1
2. Secure the top cap with screws. Figure 2
3. Attach the uprights to the brackets molded to the bottom of the uprights. Figure 3
4. Secure the uprights to the base using the bolts, washers and lock nuts. Figure 4
5. Insert the casters and your rack is now complete. Figure 5



PARTS:

- 1 Base
- 4 Steel Tube Uprights with Steel Tube Rungs
- 1 Top Cap
- 4 Casters
- 8 Bolts
- 8 Screws
- 16 Lock Nuts
- 16 Washers