



MBR2

DOUBLE MEDICINE BALL TREE

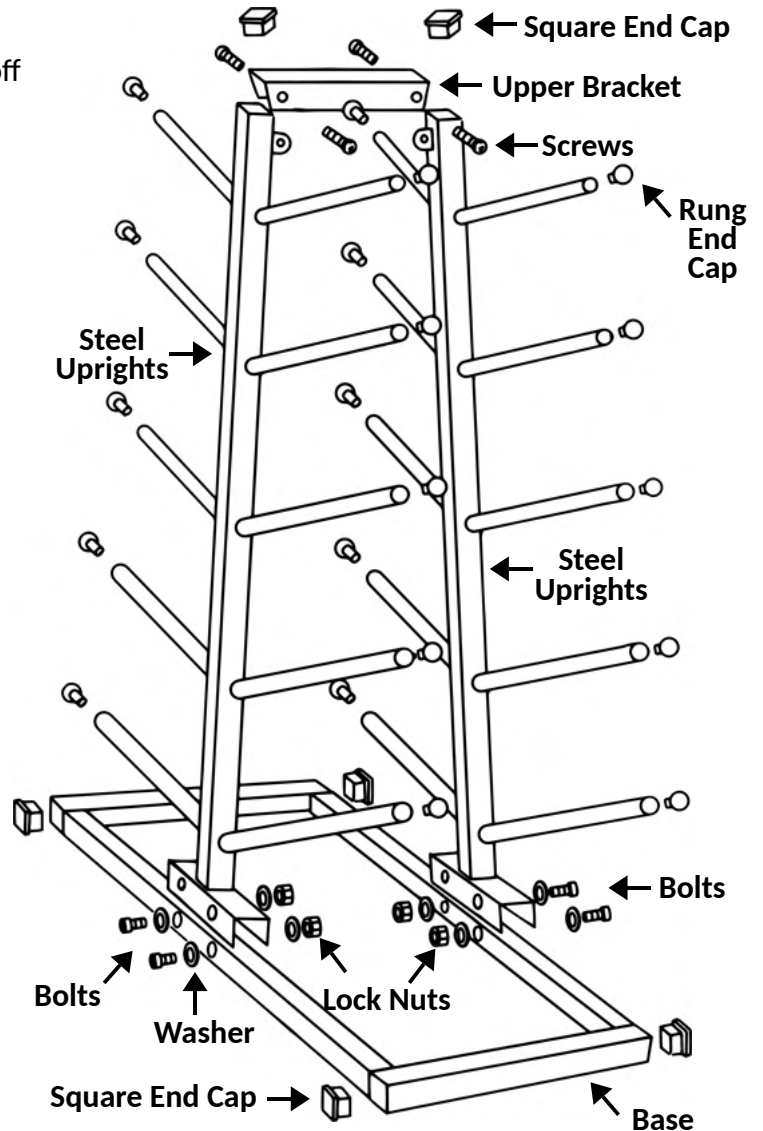
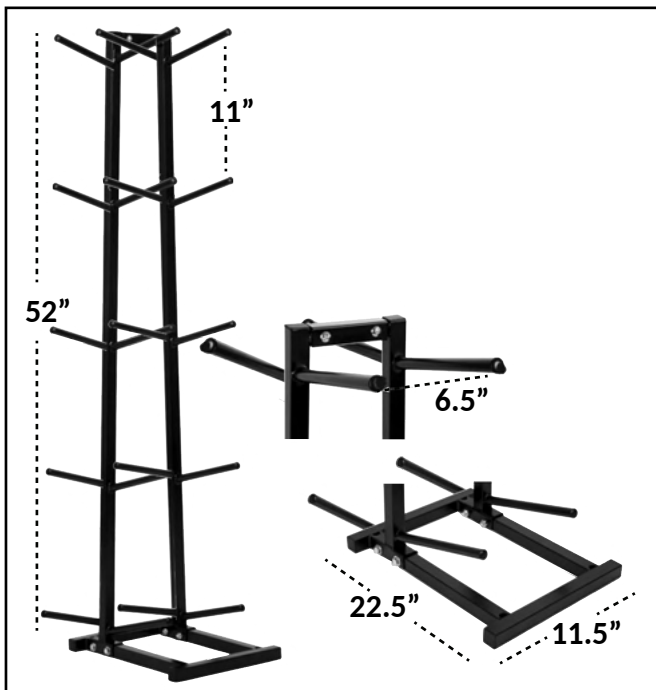
Features:

- Steel tube frame
- Holds up to 10 medicine balls
- Narrow design
- 23"L 12"W x 51"H
- White

Instructions:

Designed to save space in gyms and fitness classes, the Champion Sports Double Medicine Ball Tree features a vertical design, making it easy to fit almost anywhere in your workout space.

1. Attach the 2 steel tube uprights to the base using screws, bolts, washers and lock nuts. Finish base off with End Caps.
3. Secure upper bracket. Finish off with End Caps.
4. Insert end caps to all rungs.



PARTS:

- 1 Base
- 2 Steel Tube Uprights with Steel Tube Rungs
- 1 Upper Bracket
- 20 Rung End Caps
- 6 Square End Caps
- 4 Bolts
- 4 Screws
- 8 Lock Nuts
- 8 Washers