

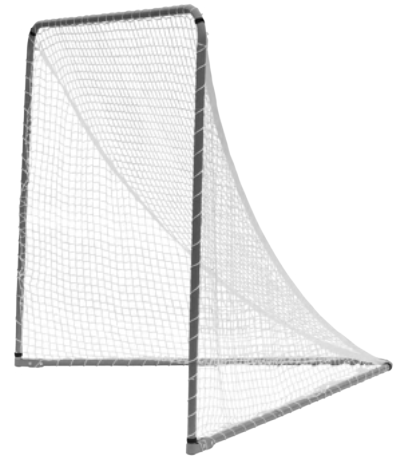


LNGLFD

FOLDING BACKYARD LACROSSE GOAL

Features:

- Official size lacrosse goal
- Heavy-duty 1.5" steel tubing
- Velcro® straps attach net to frame
- High quality 2.3 mm braided polyethylene net use
- Folds for easy storage and transportation
- 6' x 6'
- White



Instructions:

Designed with heavy-duty steel tubing, the Champion Sports Folding Backyard Lacrosse Goal is strong and durable enough to withstand regular use in outdoor environments.

1. Connect the folding section and base parts together. The folding section bolts should be on the inside front and the nuts on the outside. Figure 1
2. Put front upright parts together in the proper location. Figure 2
3. Connect folding section to front section. Figure 3
4. Attach the net using velcor® straps and rope. Figure 4
5. Fold for easy storage. Figure 5

Figure 1

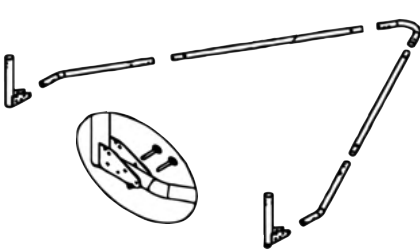


Figure 2

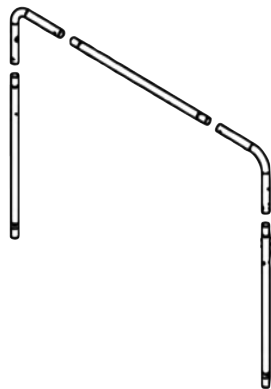


Figure 3

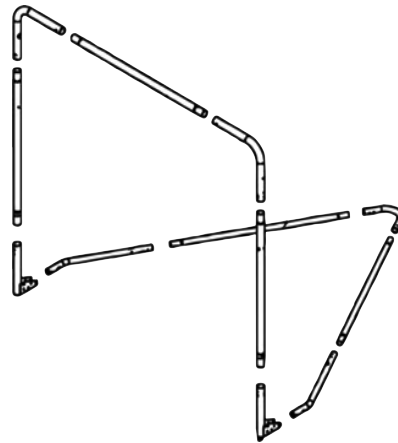


Figure 4

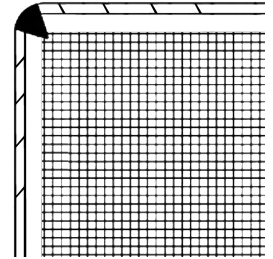
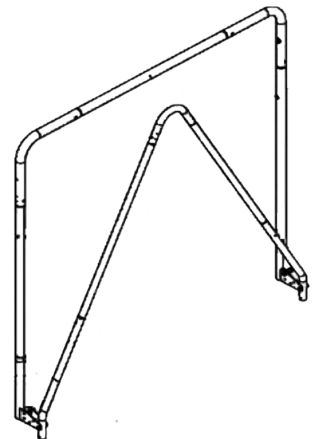


Figure 5



PARTS:

- 2 Front Top Bent Tubes
- 1 Front Top Straight Tube
- 1 Left Front Upright
- 1 Right Front Upright
- 1 Front Folding Tubes
- 1 Bottom Back Bent Tube
- 1 Left Bottom Bent Folding Tube
- 1 Right Bottom Bent Folding Tube
- 2 Back Bottom Straight Tubes
- 2 (8mm) Folding Section Bolts
- 3(8mm) Self Lock Nuts
- 2 Pull Pins 65 mm 2 3/4"
- 4 Pull Pins 59 mm 2 3/4"
- 1 Net
- Velcro® Straps and rope
- 1 Wrench
- 1 Allen Wrench