



# LBT10 LACROSSE BALL REBOUNDER

## Features:

- 3'W x 4'H Nylon rebound target surface
- Versatile design allows for use in multiple drills
- Black/Orange

## Instructions:

Designed to improve players' passing and shooting accuracy, the Champion Sports Lacrosse Ball Rebounder is made with an adjustable frame that offers four different angles for various drills in both small and large areas.

1. Assemble the frame by screws and push up pins as shown in the diagram. Figure 1
2. First, attach the 4 net hooks to the frame. Figure 2
3. Attach the next 4 net hooks at the 4 corners of the net to the frame. Figure 3
4. Attach the next set of 3 net hooks on the both sides of the net to the frame. Figure 4
5. Attach the remaining 4 net hooks to the top and bottom of the net to the frame. Figure 5
6. Loosen the screw knob on pole 9 to adjust the screen angle, and tighten it when using.
7. Place 4 ground stakes over each bottom corner portion of the frame to secure from tipping.



Figure 1

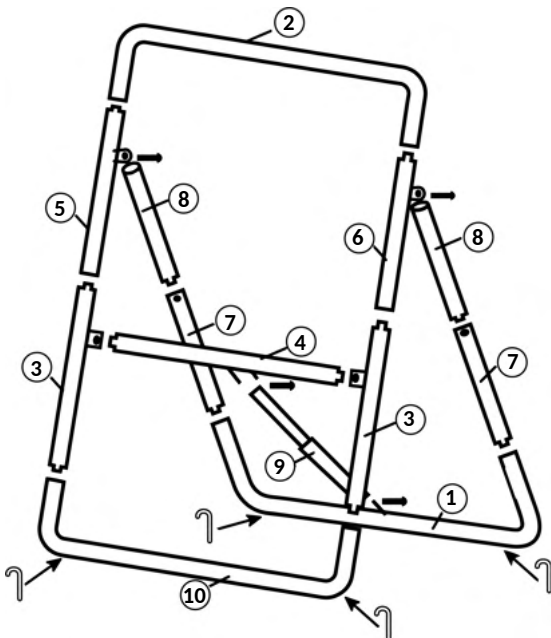


Figure 2

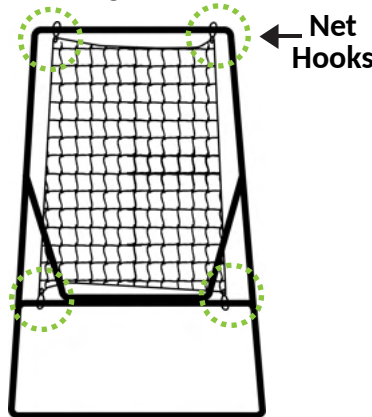


Figure 3

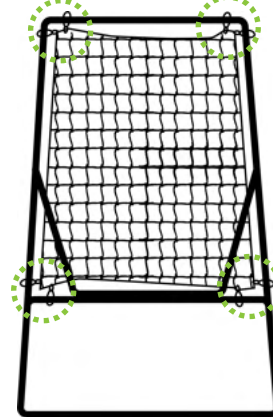


Figure 4

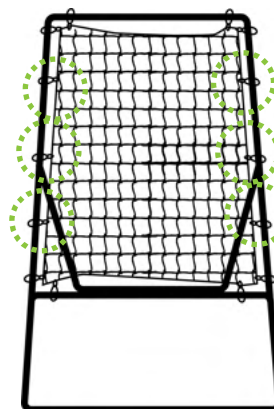
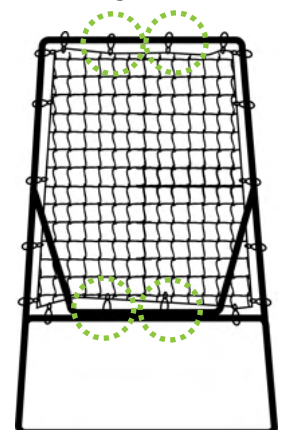


Figure 5



## PARTS:

- Steel Poles 1 to 10 (Total 13 pcs.)
- 1 Net
- 18 Elastic Net Hooks
- 4 Long Ground Stakes