



JRS12M

PORTABLE JUMP ROPE METAL RACK

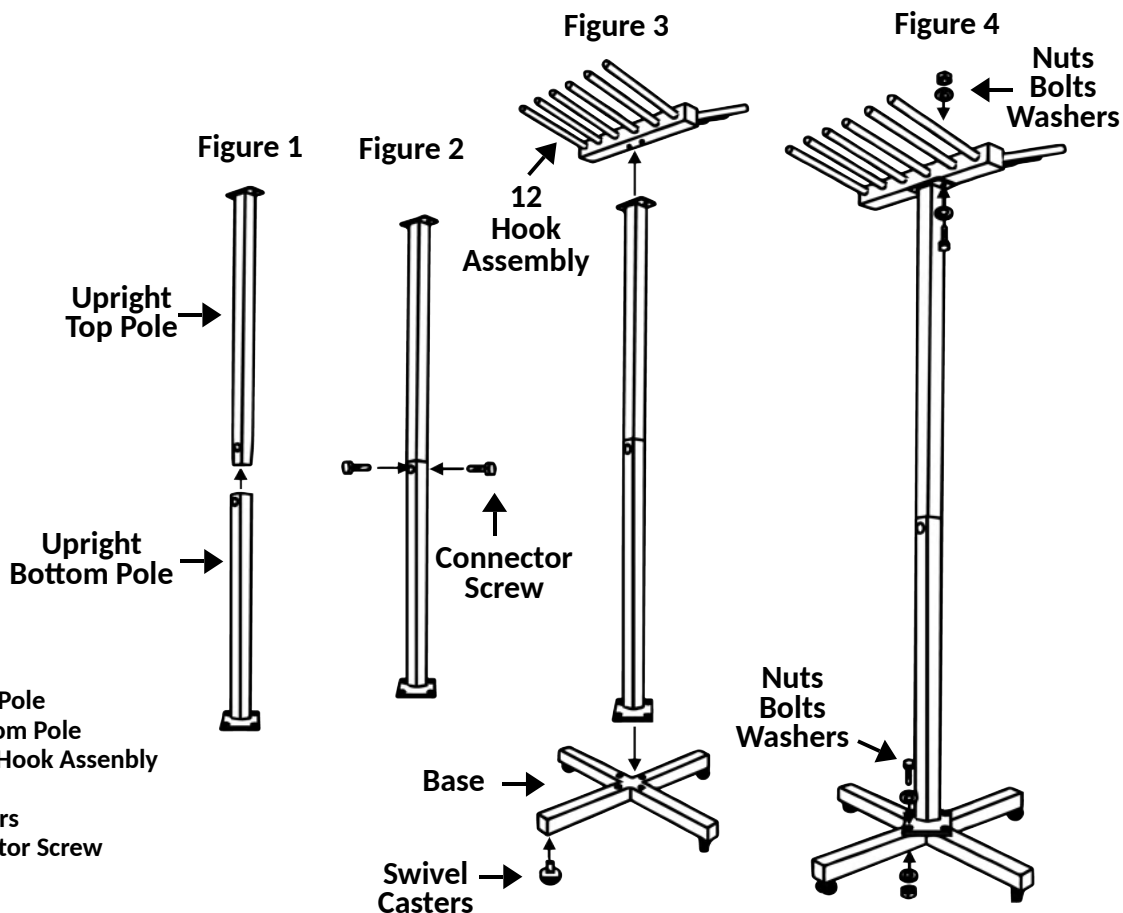
Features:

- 12-8" post holds over 200 ropes
- Made of black powder-coated steel tubing
- Rubber casters for easy
- 23"L x 23"W x 65"H
- Black

Instructions:

The Champion Sports Portable Jump Rope Cart is a convenient way to transport and store your jump ropes!

1. Attach the upright top pole to the upright bottom pole and secure with connector screw. Figure 1 & Figure 2.
2. Attach the twelve rod hook assembly to the upright top pole and base to the upright bottom pole. Figure 3
3. Insert the swivel casters into the base. Figure 3
4. Secure all parts with nuts, bolts and washers. Figure 4



PARTS:

- 1 Upright Top Pole
- 1 Upright Bottom Pole
- 1 Twelve Rod Hook Assembly
- 1 Base
- 4 Swivel Casters
- 1 Pole Connector Screw
- 6 Nuts
- 6 Bolts
- 6 Washers