



HCRACK

HOOP STORAGE RACK

Features:

- Heavy-duty plastic constructed cart
- Holds up to 100 hoops
- Organize hoops on multi-level for various sizes
- 10" D rear wheels
- 3" D front swivel casters
- 22"L x 26"W x 49"H
- White



Instructions:

Keep your plastic hoops organized with the Champion Sports Hoop Storage Cart.

1. Assemble your cart with a rubber mallet or towel - covered hammer.
2. Locate the Base with the labels: 10" Wheel and 3" Caster. Figure 1
3. Place the Base onto the floor with the four wheels down. Insert a 13" pipe into each hole above a 10" wheel and tap into place. Install the 29" pipe into the hole at the front of the Base. Figure 2
4. Install a 26 $\frac{3}{4}$ " pipe with an end connector into each of the upright pipes and tap into place. Figure 3
6. Install the Top onto the pipes and tap into place. Figure 3

Figure 1

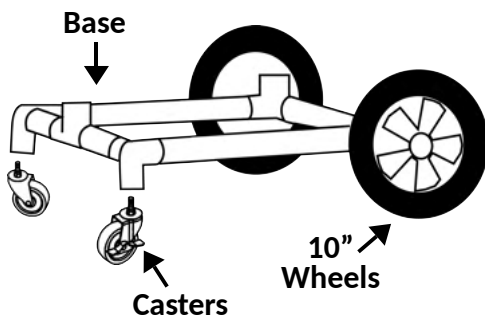


Figure 2

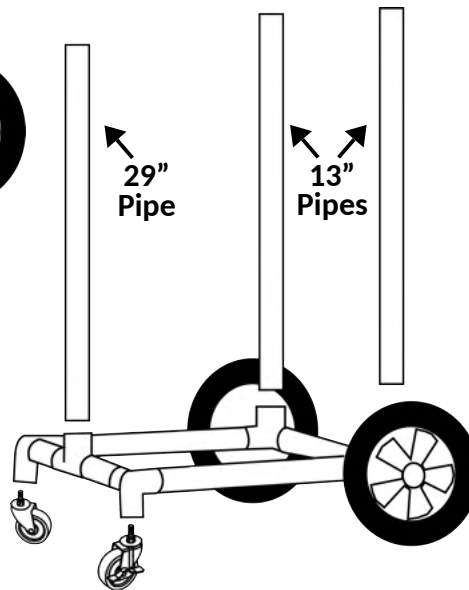
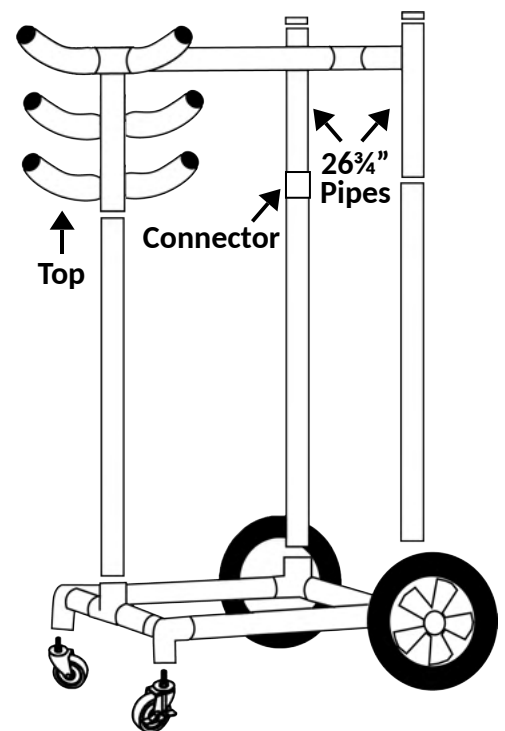


Figure 3



PARTS:

- 1 Base
- 1 Top
- 1 (29") pipe
- 2 (26 $\frac{3}{4}$ ") pipes with a connector
- 2 (13") pipes
- 2 (3") Locking casters
- 2 (10") Wheels