



BOLCO STYLE SAFETY BASE SET

MLB155SET

Features:

- Highly flexible rubber offers a soft landing surface
- One piece all rubber construction with universal aluminum stanchion
- Tapered sides reduce the risk of injury
- Will fit either a male or female ground anchor stake

Parts:

- Set of three bases, each base measures 15" x 15" x 3"
- Ground anchors are not included



Concrete Ground Anchor Stake Instructions:

1. Pour concrete into a stake form measuring 5" x 5" x 5" and insert the anchor stake in the center. The anchor stake must extend 3" from the top of the concrete surface. Figure 1.
2. On level ground, dig a hole 10" deep with a level bottom (figure 2). Place the concrete stake form in the hole, ensuring the top of the anchor stake sits approximately 2" below the surface of the ground, to prevent damage from turf maintenance equipment.
3. Pack dirt or infield mix firmly around the anchor stake.

Base Installation:

4. Place the base over the anchor stake to ensure it is secure and stable.
5. The bottom of the base must sit 1" below ground level. Figure 3.
6. Make adjustments if the base is not level on flat ground, does not sit 1" below ground level or has a gap between the ground anchor. Figure 4.

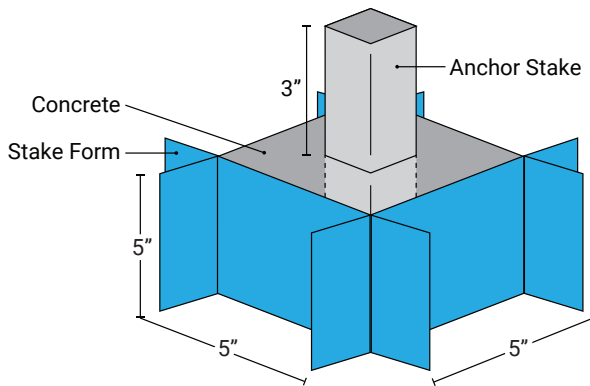


FIGURE 1

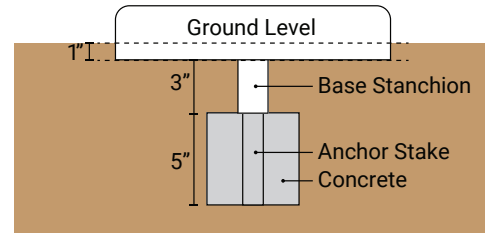


FIGURE 2

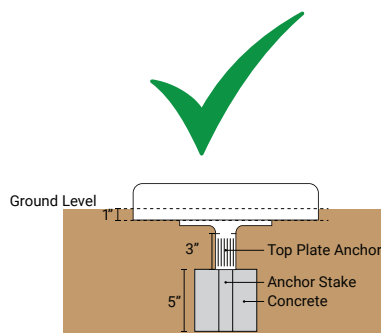


FIGURE 3

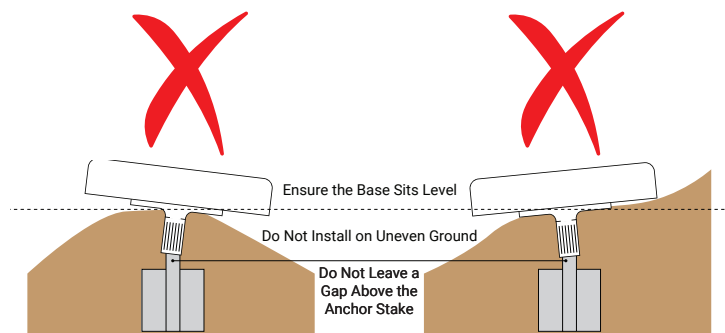


FIGURE 4