

## Features:

- Molded plastisol shell injected with urethane foam for a durable outer layer that is also soft enough to prevent injuries
- Heavy-duty steel anchor is molded into a vinyl shell that easily secures into the baseball diamond

## Parts:

- Set of three bases, each base measures 15" x 15" x 3"
- Three 8"L ground anchors



## Concrete Ground Anchor Stake Instructions:

1. Pour concrete into a stake form measuring 5" x 5" x 5" and insert the anchor stake in the center. The anchor stake must extend 3" from the top of the concrete surface. Figure 1.
2. On level ground, dig a hole 10" deep with a level bottom (figure 2). Place the concrete stake form in the hole, ensuring the top of the anchor stake sits approximately 2" below the surface of the ground, to prevent damage from turf maintenance equipment.
3. Pack dirt or infield mix firmly around the anchor stake.

## Base Installation:

4. Place the base over the anchor stake to ensure it is secure and stable.
5. The bottom of the base must sit 1" below ground level. Figure 3.
6. Make adjustments if the base is not level on flat ground, does not sit 1" below ground level or has a gap between the ground anchor. Figure 4.

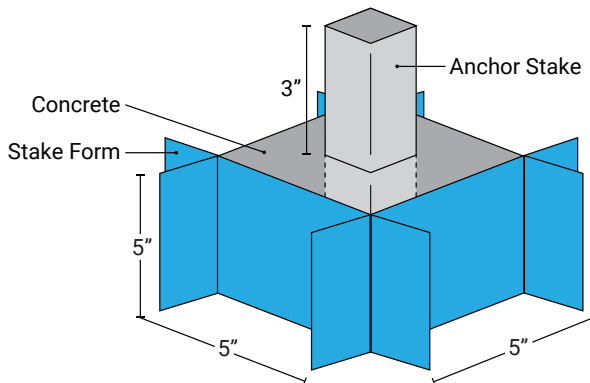


FIGURE 1

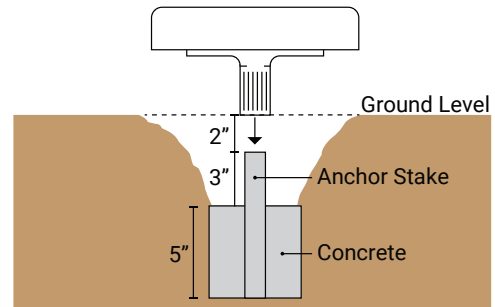


FIGURE 2

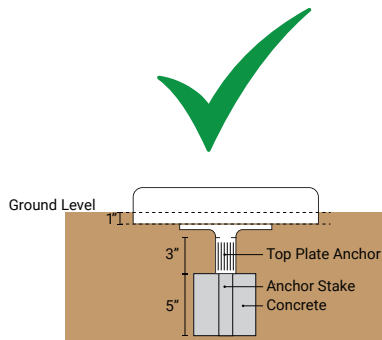


FIGURE 3

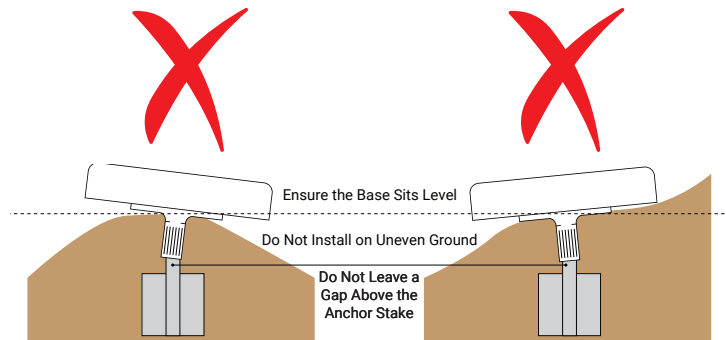


FIGURE 4