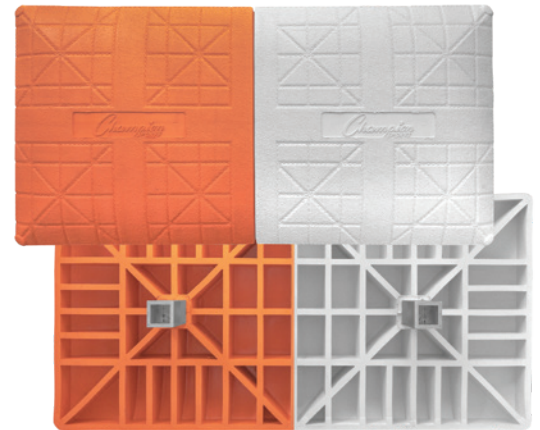


Features:

- Bolco style molded double first base for improved player safety
- One-piece non-collapsible heavy-gauge rubber construction
- Orange color injected into rubber for long-lasting visibility

Parts:

- One double first base measuring 30" x 15" x 3"
- Ground anchors sold separately



TOP AND BOTTOM VIEW DFB153

Concrete Ground Anchor Stake Instructions:

1. Pour concrete into two stake forms measuring 5" x 5" x 5" each. Insert the anchor stake in the center. The anchor stake must extend 3" from the top of the concrete surface. Figure 1.
2. On level ground, dig a hole 10" deep with a level bottom (see figure 2). Place the concrete stake form in the hole, ensuring the top of the anchor stake sits approximately 2" below the surface of the ground, to prevent damage from turf maintenance equipment.
3. Pack dirt or infield mix firmly around the anchor stake.

Base Installation:

4. Align each base stanchion with each anchor stake, lower the base over the anchor stakes to ensure it is secure and stable.
5. The bottom of the base must sit 1" below ground level. Figure 3.
6. Make adjustments if the base is not level on flat ground, does not sit 1" below ground level or has a gap between the ground anchor. Figure 4.

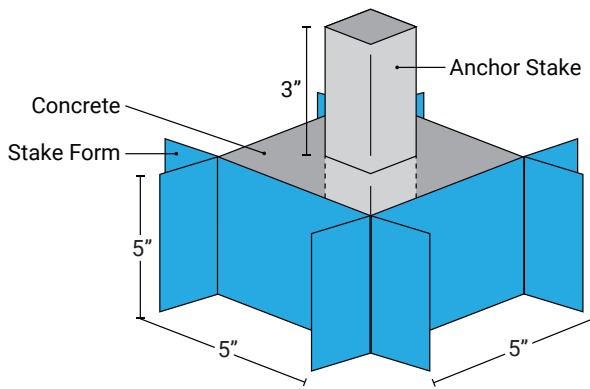


FIGURE 1

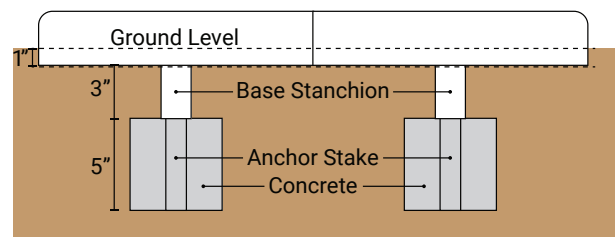


FIGURE 2

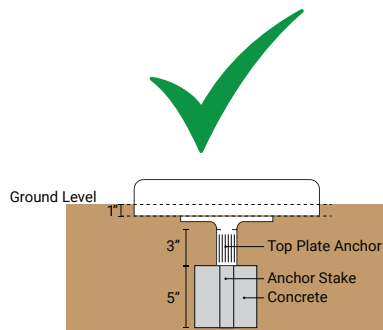


FIGURE 3

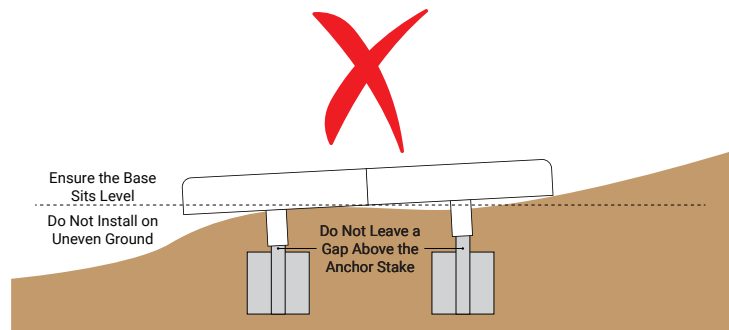


FIGURE 4